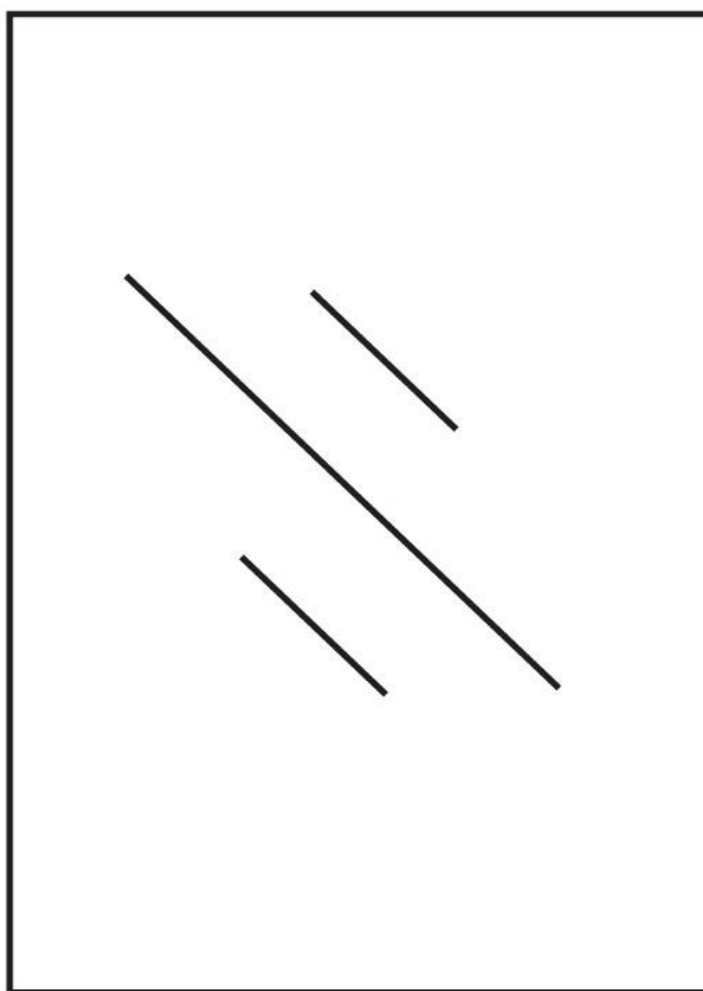




Thank you for choosing Better Bathrooms.
Please read this manual before installing your product
and keep for future reference.

**better
bathrooms**

WALL MOUNTED LED MIRROR WITH DEMISTER



VELA700 VELA1200

- INFRARED SENSOR
- BUILT-IN DEMISTER
- IP44 INGRESS PROTECTION
- SINGLE PERSON ASSEMBLY

CONGRATULATIONS ON YOUR PURCHASE

Our aim at Better Bathrooms is to bring you extraordinary bathroom products for less.

If you're after a modern, traditional, or totally unique bathroom style, we have the fittings and fixtures to bring your ideas to life so you can fall in love with your space every day.

We hope your new product goes above and beyond your expectations. However, should any problems occur, please:

- Log in to your account and contact our customer services team via your self-service portal – betterbathrooms.com/CustomerAccount/Login
- Contact us via betterbathrooms.com/contact/contact-us

CONTENTS

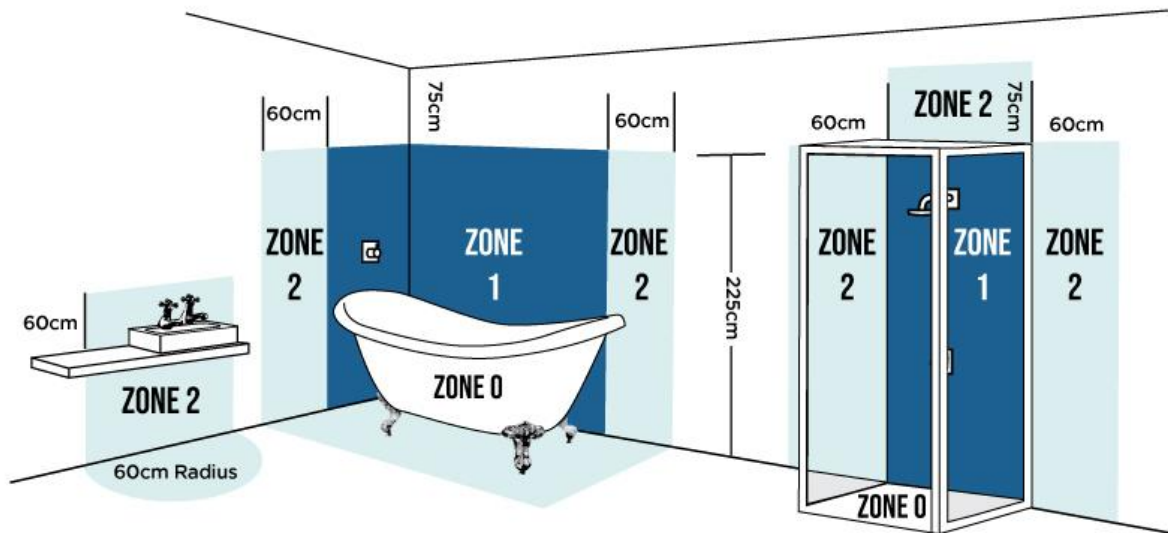
SAFETY	3
BATHROOM ZONES	4
PARTS SUPPLIED	5
TOOLS REQUIRED	5
DIMENSIONS	6
INSTALLATION	7
OPERATION	8
CLEANING AND MAINTENANCE	8
LIGHT REPLACEMENT	8
TECHNICAL SPECIFICATIONS	11
UK SUPPORT	11

SAFETY

- This mirror should be installed by a qualified electrician.
- This fitting is only suitable for connection to a 220- 240V~ earthed supply in accordance with current IEE wiring regulations and should be installed in accordance with local Building Regulations.
- This is for domestic, indoor use only.
- The fitting should be connected to a dedicated lighting circuit, which must be protected by a 5-amp fuse (or a 6-amp miniature circuit breaker).
- Before installing the fitting, ensure the mains supply is switched off and that the appropriate fuse is removed (or the appropriate circuit breaker is switched off) before commencing installation. Ensure that measures are taken to prevent the supply from being inadvertently reconnected.
- If there is a “Minimum Distance” Label, please do not allow Flammable Materials to rest within that distance from the unit.
- This product may contain delicate parts – be careful during handling and maintenance to avoid breakage.
- Any modification to the fitting will invalidate the warranty and may render the product unsafe.
- A defective appliance may cause an electric shock. Never switch on a defective or damaged appliance. Disconnect the appliance from the mains before seeking assistance.
- This product is IP44 rated, and no part of the installation is allowed to be within bathroom Zones 0 or 1. Installation is permitted within Zone 2.
- This product must be earthed. Before commencing installation, ensure that there are no pipes or wires located behind the wall that may be damaged during drilling.
- Ensure that the hanging location has been decided upon and marked clearly to avoid unwanted damage to the wall due to incorrect positioning.
- Take care of unpacking, and do not use a sharp blade to open it, as this may damage the mirror and void your warranty.
- Installation must only be carried out by a qualified professional or electrician.
- If the external flexible cable or cord of this luminaire is damaged, it shall be exclusively replaced by the manufacturer, their service agent or a similarly qualified person in order to avoid a hazard.
- To reduce the risk of strangulation, the flexible wiring connected to this luminaire shall be effectively fixed to the wall if the wiring is within arm's reach.
- The light source contained in this luminaire shall only be replaced by a professional service engineer or a similar qualified person.
- Once installed, a bead of silicon can be applied between the mirror and the wall across the top and sides of the unit. Never seal the bottom of the mirror to the wall, as this may allow water to accumulate behind the mirror.

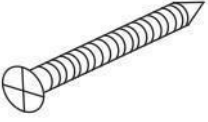

BATHROOM ZONES

If the appliance is to be fitted within a bathroom, a good understanding of the zoning within bathrooms is required to ensure the unit is mounted in a safe position. The appliance is rated as IP44 and should be installed outside of Zones 0 -2. We would advise that when the unit is fitted within a bathroom, a suitable fused spur is installed in accordance with BS 7671. In addition, when used in a bathroom, it must be protected by a suitable RCD to prevent the risk of electric shock, and it must not be immersed in water during cleaning.



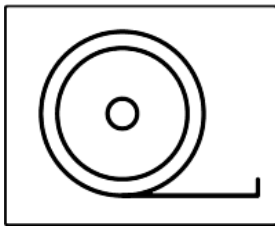
Zone 0:	The interior of the bathtub or shower basin.
Zone 1:	The area around the bathtub or shower basin up to a height of 2.25m above the floor
Zone 2:	The area stretching to 0.6m outside the bath or shower and above the bath or shower if over 2.25m

PARTS SUPPLIED

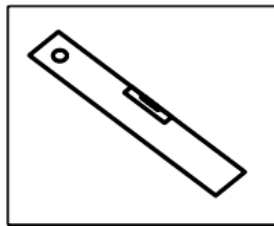
	
Screws M4 (x4)	Wall Plugs (x4)

NOTE: It is the installer's responsibility to ensure the fittings are suitable for the wall type. The parts provided are only suitable for masonry walls. Alternative fixings may be required for other wall types and are not included. If unsure, seek professional advice.

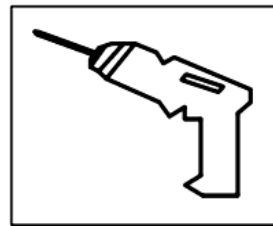
TOOLS REQUIRED (not supplied)



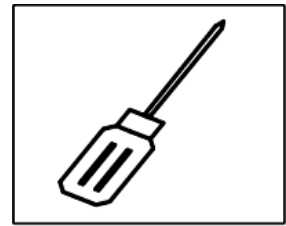
TAPE MEASURE



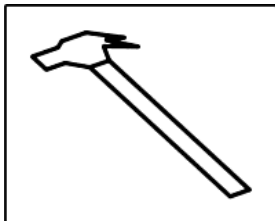
SPIRIT LEVEL



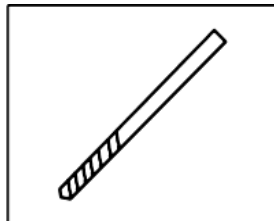
ELECTRIC DRILL



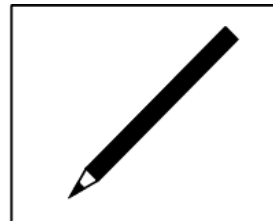
SCREWDRIVER



HAMMER



8mm DRILL BIT

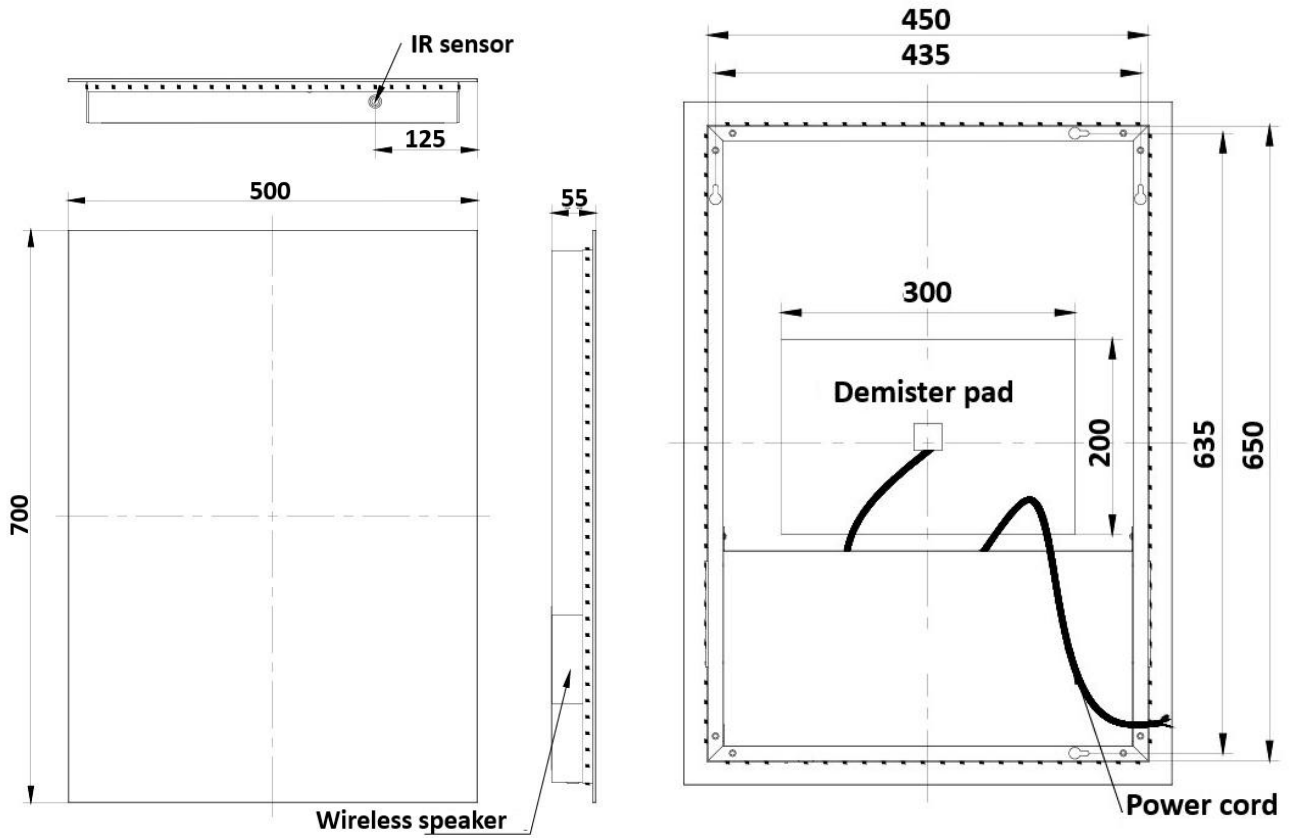


PENCIL

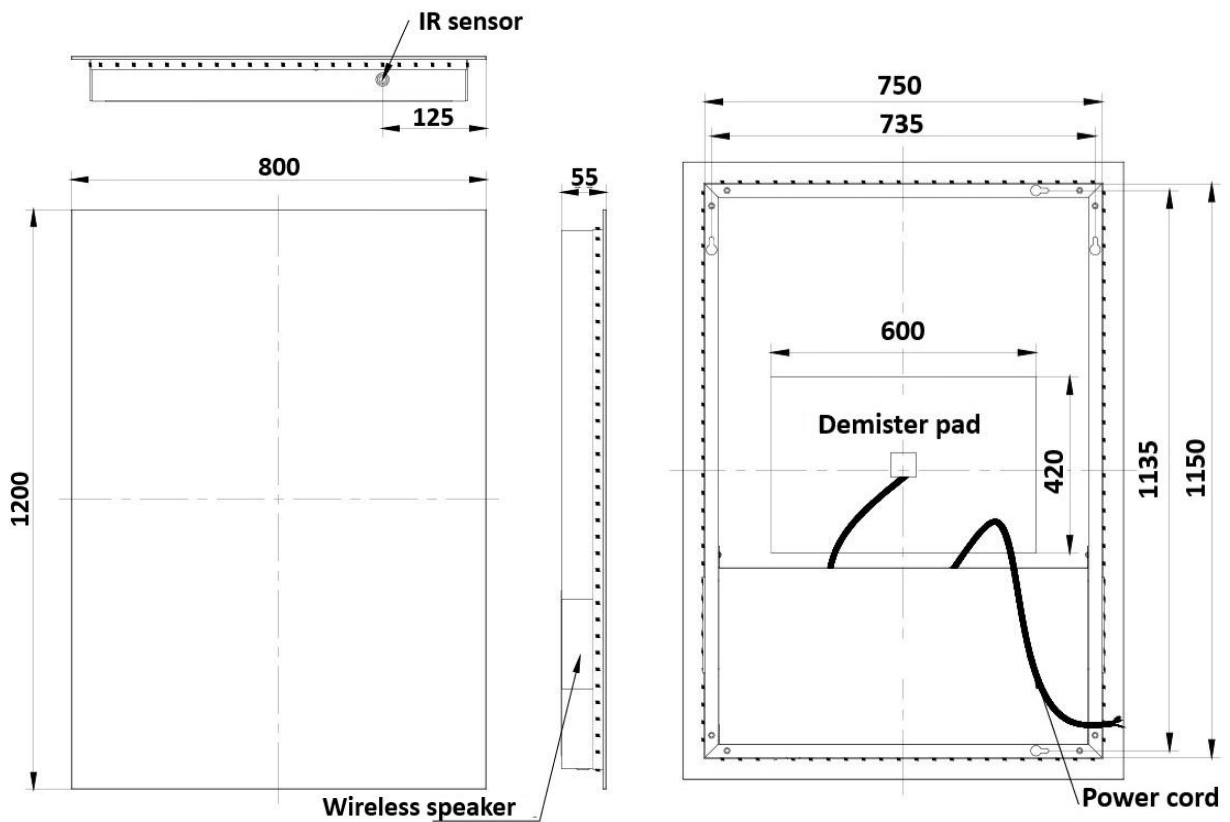
DIMENSIONS

NOTE: Diagrams within the manual are for illustrative purposes only; due to continual product improvement, the product may vary from the illustrations. All measurements are in mm.

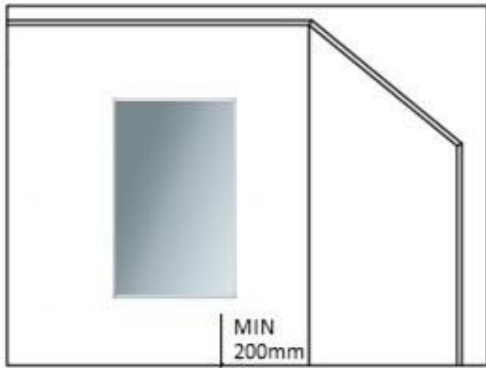
VELA700



VELA1200



IMPORTANT: Ensure the sensor is installed 200 mm away from any surface.



Dimensions Tolerance

Dimension Size	Tolerance Value
Up to 120 mm (4.72 in)	±1.27 mm (±0.05 in)
Over 120 mm (4.72 in)	±2.54 mm (±0.1 in)
Angles	±1°

INSTALLATION

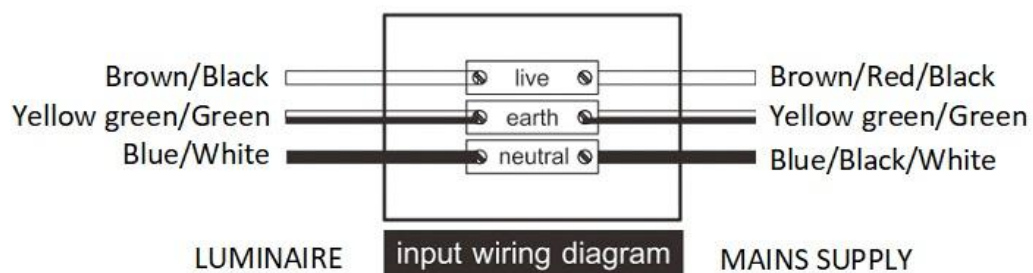
IMPORTANT: Before commencing installation, ensure there are no pipes or wires behind the wall you will be drilling into, and check that the item is functional.

- Ensure that the hanging location has been decided upon and marked clearly to avoid unwanted damage to the wall due to incorrect positioning.
- Check that the mirror is not damaged prior to installation.
- Take care of unpacking, and do not use a sharp blade to open it, as this may damage the mirror and void your warranty.
- Ensure that the power is disconnected at the circuit breaker and that there is no risk of reconnection during installation.

At the back of the mirror, there are four hanging keyholes—two positioned for portrait installation and two positioned for landscape installation. To hang the mirror, two holes are required in the wall, aligned with the selected pair of keyholes.



1. Measure the distance between the two keyholes.
2. Make a note of the distance and mark their position on the wall. Use a spirit level to ensure that the holes are level.
3. Drill two holes into the wall at the marked positions using a suitable drill bit.
4. Insert the wall plugs into the holes.
5. Insert the screws into the wall plugs, ensuring that their heads protrude by approximately 3 mm.
6. Check that the screws line up correctly and that the mirror can be safely hung from them.
7. The mirror should now be connected to a suitable fused spur in accordance with current regulations and guidance. When connecting, ensure that sufficient cable is left to allow the mirror to be safely removed.
8. Carefully lower the mirror onto the screws, ensuring that it is secure and does not slide.
9. Reconnect the power supply.

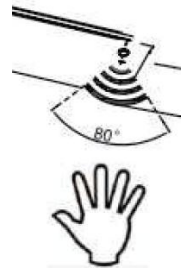


OPERATION

Your mirror features an infrared (IR) sensor located on the right-hand underside for easy touch-free control.

Turning On/Off: Move your hand across the sensor from a distance of approximately 5 cm to switch the light and demisting pad on. Move your hand across the sensor again to turn them off.

Changing Colour Temperature: When the light is on, hold your hand in front of the sensor to cycle through the available colour temperatures: 3000K (Warm White), 4000K (Neutral White), 6500K (Cool White).



Wireless Speaker



To pair your phone to the Bluetooth speaker system, press and hold the speaker symbol to start pairing.

Access your phone's Bluetooth connection option via your settings, and a list of devices will be shown.

Locate "Mirror-BT" and select it.

Your phone will now be paired to the speakers.

Press and hold the button to turn on/off, when the player is on. Press to pause the player and press again to play.

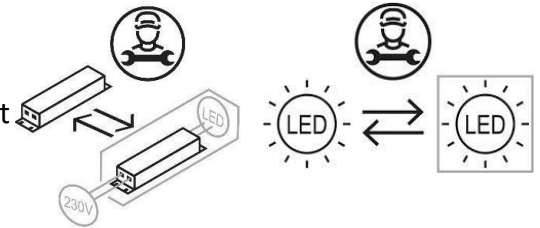
CLEANING AND MAINTENANCE

Never use products containing bleach or abrasive cleaners, as this will harm the product's appearance and lifespan.

Use a clean microfiber cloth to clean the mirror.

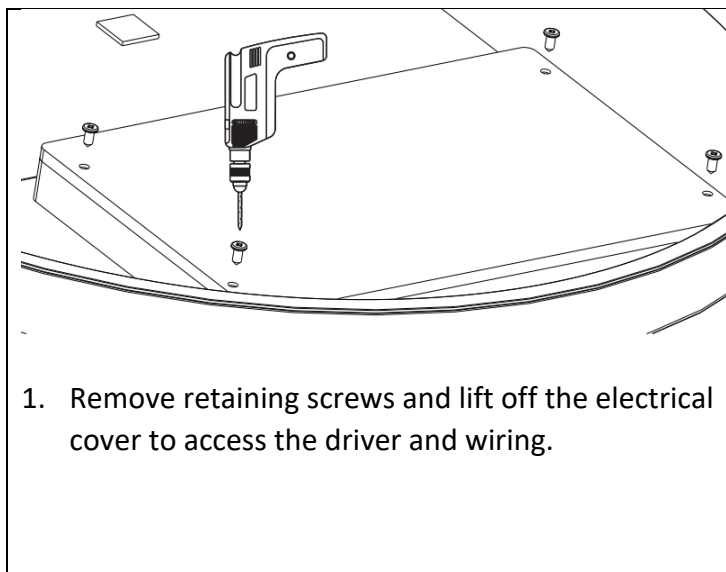
LIGHT REPLACEMENT

The light source contained in this luminaire shall only be replaced by a professional service engineer or a similar qualified person. This product contains a light source of energy efficiency class F.

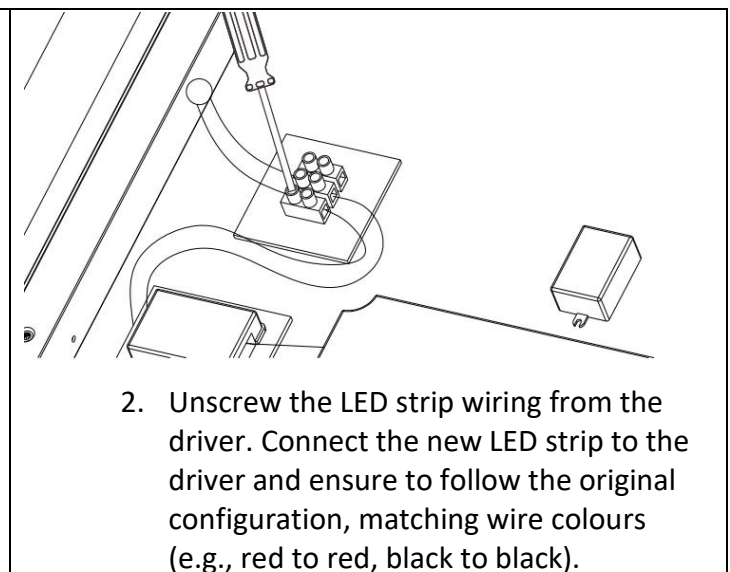


LED STRIP REPLACEMENT

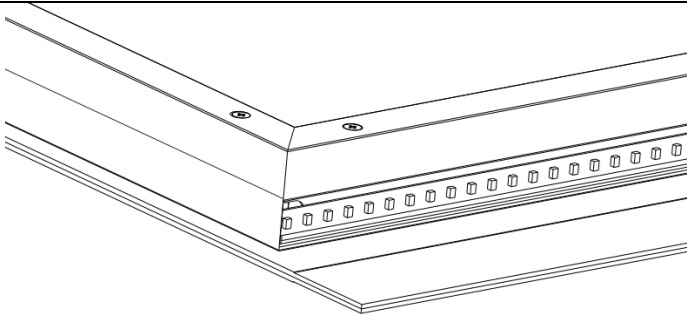
NOTE: Before replacing any components, ensure the mains supply is switched off and isolated.



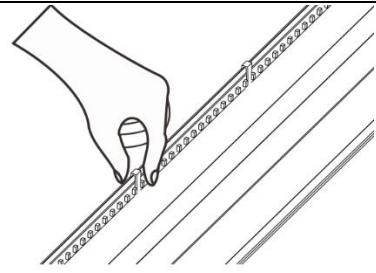
1. Remove retaining screws and lift off the electrical cover to access the driver and wiring.



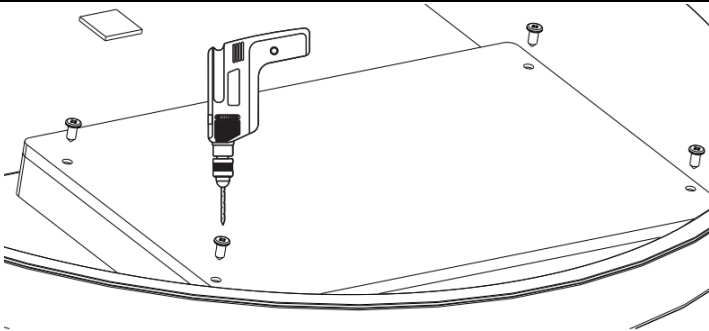
2. Unscrew the LED strip wiring from the driver. Connect the new LED strip to the driver and ensure to follow the original configuration, matching wire colours (e.g., red to red, black to black).



3. Carefully detach the LED strip clip (if fitted), then pull out the LED strip. If the adhesive is difficult to remove, gently warm it with a hairdryer on a low setting to loosen the bond.
4. Clean the channel using rubbing alcohol or glass cleaner to remove any residue. Ensure the surface is completely clean and dry before installing the new LED strip.



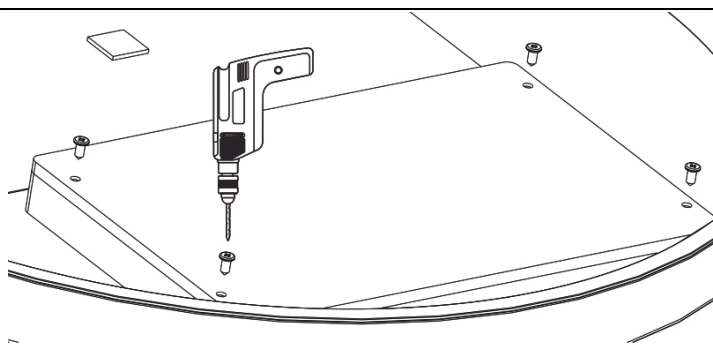
5. Measure the full length of the removed LED strip and ensure the replacement matches this length, allowing enough reach to connect to the terminal without stretching or tension.
6. Peel the backing and press the new LED strip firmly into the channel, ensuring it is straight and securely seated.



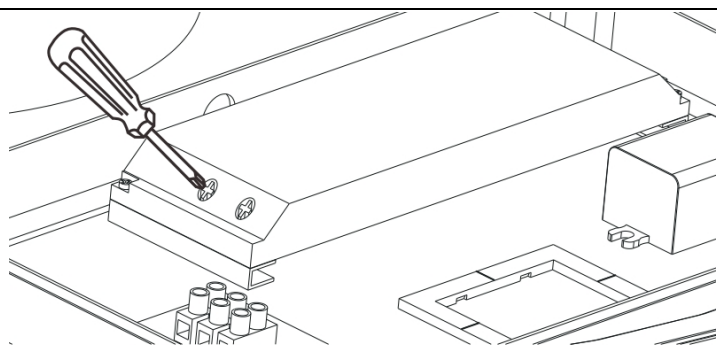
7. Put the electrical cover back on and screw it into place.
8. Reconnect the power supply.

LED DRIVER REPLACEMENT

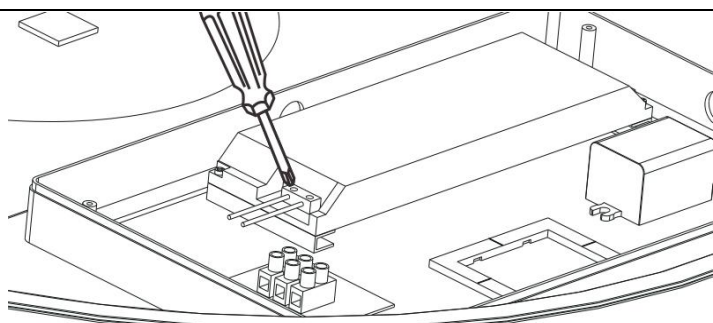
NOTE: Before replacing any components, ensure the mains supply is switched off and isolated.



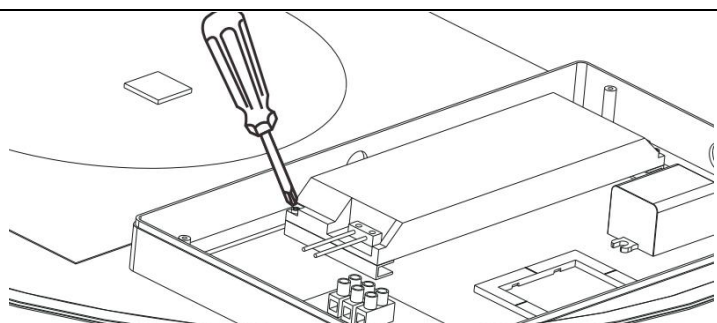
1. Remove retaining screws and lift off the electrical cover to access the driver and wiring.



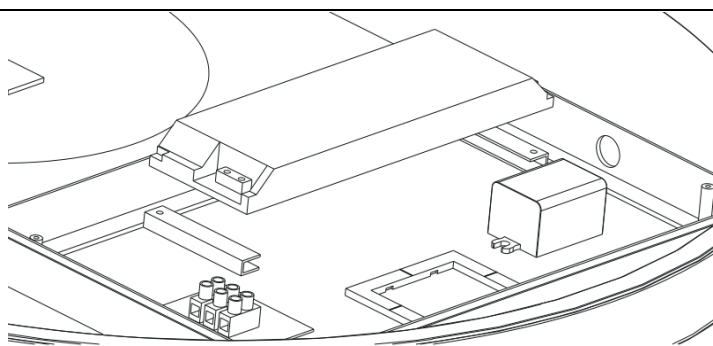
2. Unscrew both ends of the LED driver cover.



3. Unscrew the LED strip wires from the driver terminals.



4. Unscrew the driver and carefully remove it.



5. Remove the old driver and install the new one in its place. If present, remove the protective backing tape from the rear of the new driver before installation. Secure the driver firmly in place.
6. Reinstall all covers by reversing the removal steps, ensuring all fixings are tightened securely. Reconnect the power supply.

TECHNICAL SPECIFICATION

MODEL	VELA700	VELA1200
WxHxD (mm)	700x500x55	1200x800x55
Net Weight (Kg)	5.3	16.2
Power Cord Length (cm)	64	110
Rated Power (W)	39	83
IP Rating	IP44	
Input	220-240V, 50/60Hz	

EU DECLARATION OF CONFORMITY

Better Bathrooms hereby declares that this product is in compliance with Directive 2014/53/EU and Directive 2011/65/EU, as amended by (EU) 2015/863.

The full text of the EU Declaration of Conformity is available at:

<https://www.betterbathrooms.com/files/doc/eu/VELA700.pdf>

<https://www.betterbathrooms.com/files/doc/eu/VELA1200.pdf>

UK DECLARATION OF CONFORMITY

Better Bathrooms hereby declares that this product is in compliance with the Radio Equipment Regulations 2017 and the Restriction of the Use of Certain Hazardous Substances in Electrical and Electronic Equipment Regulations 2012.

The full text of the UK Declaration of Conformity is available at:

<https://www.betterbathrooms.com/files/doc/uk/VELA700.pdf>

<https://www.betterbathrooms.com/files/doc/uk/VELA1200.pdf>

UK SUPPORT

Call: 0330 390 3062

Office hours: 9 AM – 5 PM Monday to Friday

www.BetterBathrooms.com

Unit 2A, Trident Business Park,
Neptune Way, Leeds Road,
Huddersfield, HD2 1UA

DISPOSAL



Recycling facilities are now available for all customers, where you can deposit your old electrical products. Customers will be able to take any old electrical equipment to participating sites run by their local councils. Please remember that this equipment will be further handled during the recycling process, so please be considerate when depositing your equipment. Please get in touch with the local council for details of your local household waste recycling centres.

At the time of printing, the product contains no substances listed within Annex XIV of the Reach Regulations (EC) 1907/2006. In accordance with Article 59 of the same regulation, the following substances are contained within the product at permitted levels: Cadmium.

As a responsible manufacturer, we monitor the regulations to ensure continued compliance. Further information can be provided upon request.

For more information

- visit betterbathrooms.com
- email Support@Betterbathrooms.com
- call 0330 390 3062
- write to Trident Business Park, Neptune Way, Huddersfield, HD2 1UA

**better
bathrooms**

Part of the BuyItDirect Group